



**Roiter**<sup>®</sup>

INDUSTRIAL RUBBER HOSES



# The Company



Founded in 1994, the company Roiter belongs from December 2018 to Matec Group.

The Company is located in Rovigo.

- ROITER carries out a full assortment of customized special solutions for individual application of industrial hoses like dredging hoses, bunker hoses, peristaltic pump hoses, concrete pump hoses and large diameter material handling hoses (up to a nominal diameter of roughly 24" ~ 609 mm).

- ROITER acts as global player on the industrial hose market and it is able to serve the full customer demand of industrial rubber hoses from extruded Long-Length to Mandrel Built Hoses whether in agriculture and food industry, in the building and environmental industry, in the chemical industry or in material handling, ROITER division is able to offer its product for nearly every imaginable application:



- |   |                        |                                     |
|---|------------------------|-------------------------------------|
| <input checked="" type="checkbox"/> Food        | Steam and Hot Water    | <input checked="" type="checkbox"/> |
| <input checked="" type="checkbox"/> Abrasion    | Chemicals              | <input checked="" type="checkbox"/> |
| <input checked="" type="checkbox"/> Mineral Oil | Industrial Water       | <input checked="" type="checkbox"/> |
| <input checked="" type="checkbox"/> Vehicle     | Compressed Air and Gas | <input checked="" type="checkbox"/> |
|   | Special Applications   | <input checked="" type="checkbox"/> |



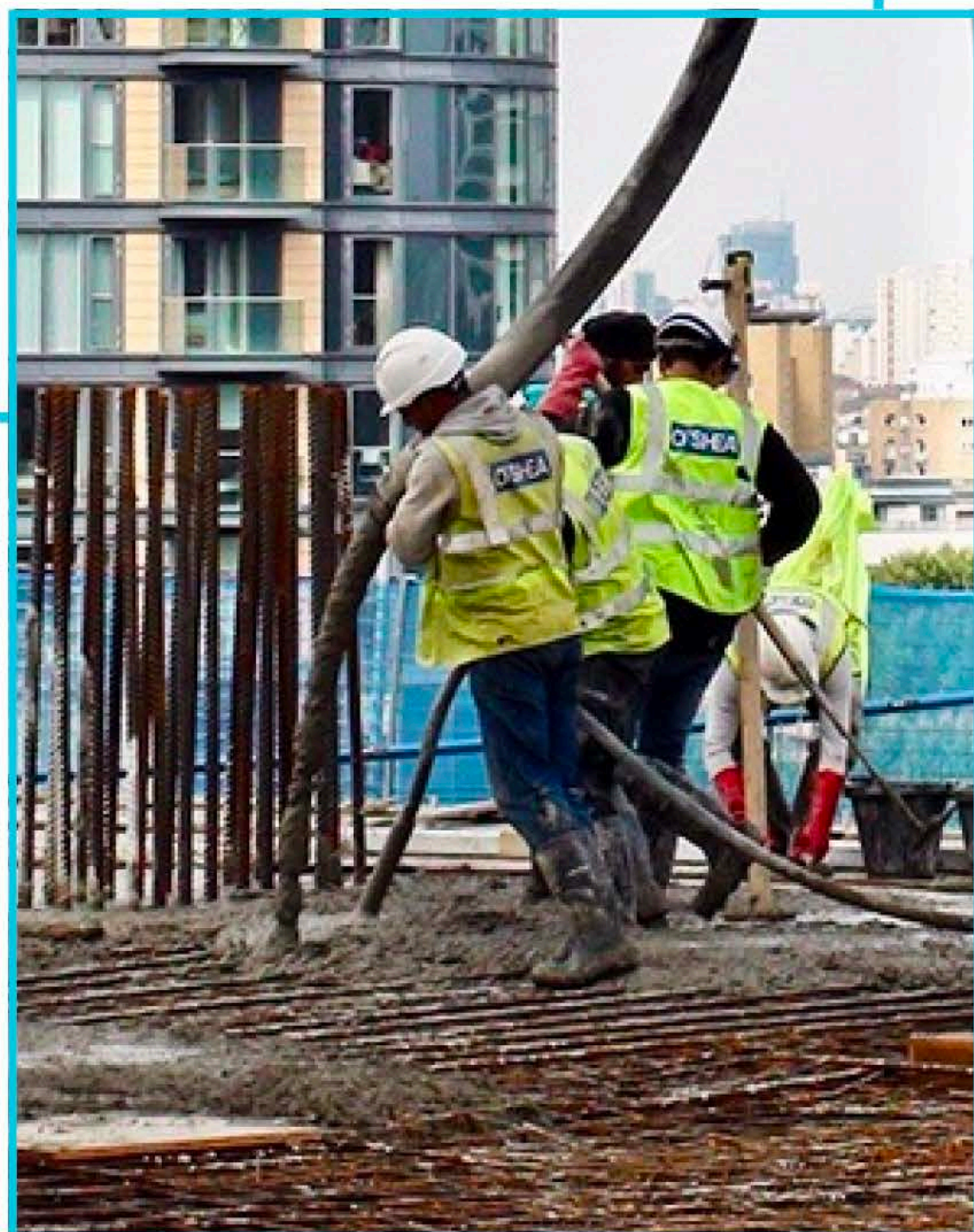


The Company owns roughly 18.500 Square Meters of land, of which about 8.000 are occupied by buildings.  
The facility is split in three different areas:

- ✓ Offices: 800 m2
- ✓ Stock: 1.200 m2
- ✓ Productions: 6.000 m2

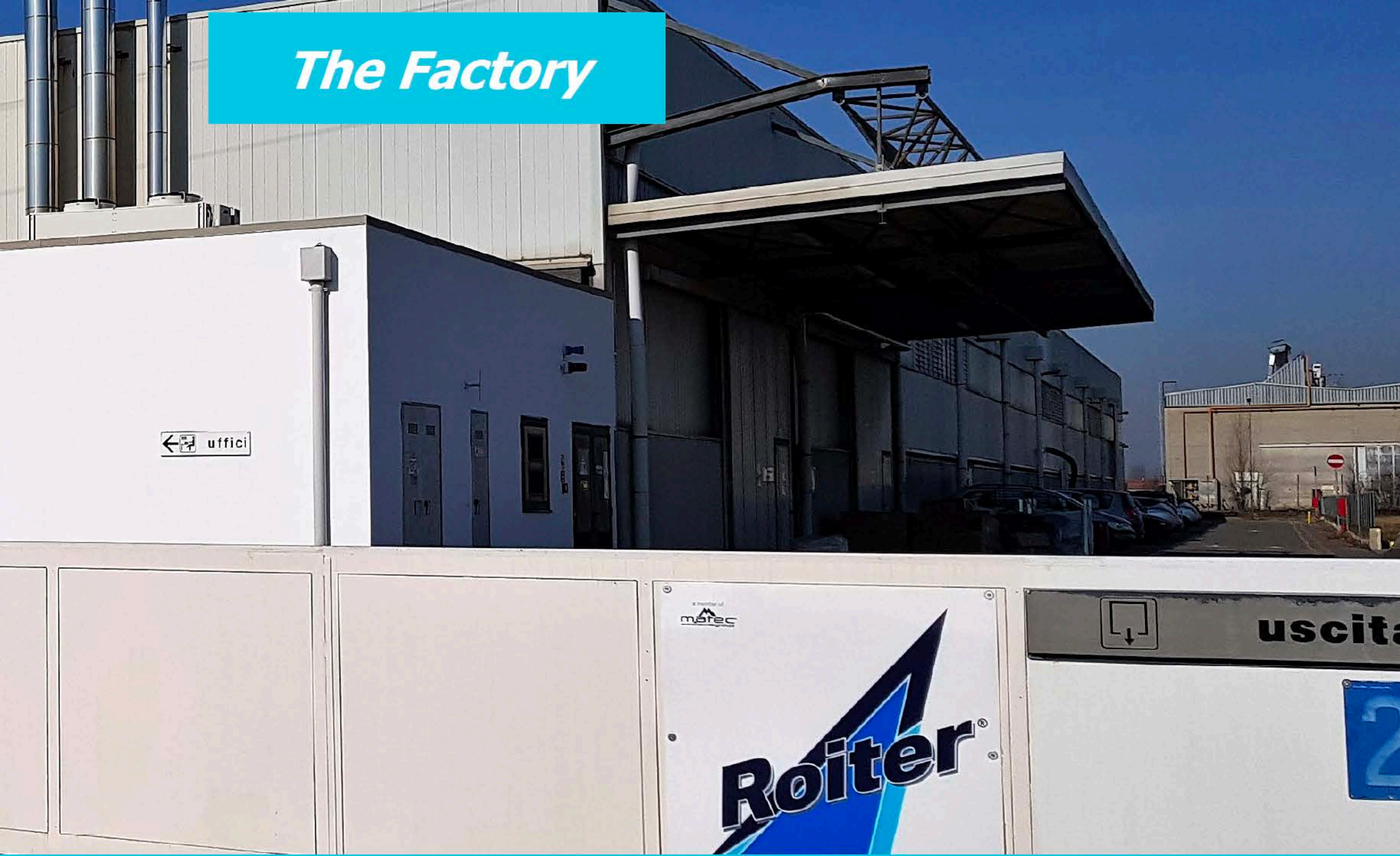
## PRODUCTION CAPABILITY

- 1 million mts installed capacity ✓
- 12 production lines ✓
- 2 calander lines ✓
- 2 rubber blenders ✓
- 2 autoclaves ✓
- Crimping facilities ✓
- Pressure test station ✓





# The Factory



## Size:

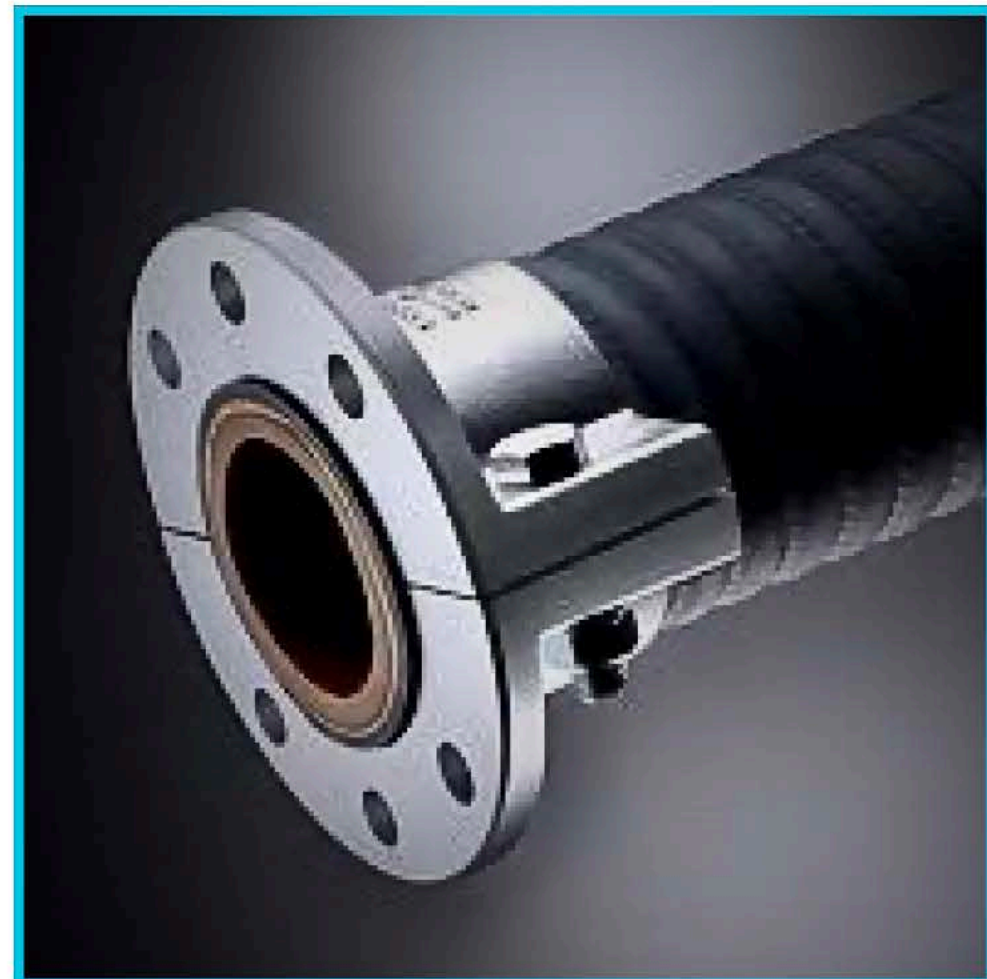
- In 40 m lengths: from 10 mm up to 254 mm (10"); with or without spiral reinforcements
- In short lengths: from 6 mm up to 609 mm in 15 m lengths

## Hose ends. The hose ends could be:

- Plain: straight end
- Capped ends: rubber cap to protect textile reinforcement from contact with medium.
- Soft ends: spiral wire is terminated before the end of the hose to facilitate coupling insertion.
- Enlarged ends: to match the outside diameter of pipe to be connected.

## End fittings:

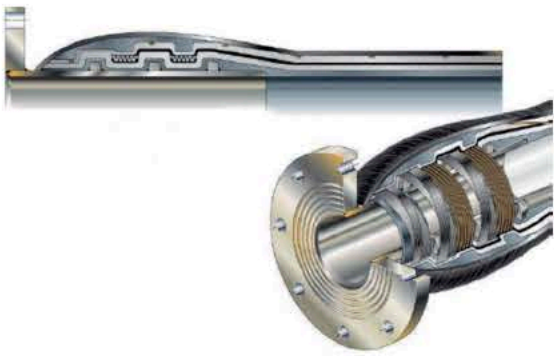
- End fittings can be fixed by "Crimping" system, or can be "Built in" vulcanized directly at the hose ends.
- Fittings are usually made in carbon steel or in stainless steel





### 1) Built-in and not coated

Applications:  
suction and delivery  
not abrasive (water) and  
non aggressive chemicals



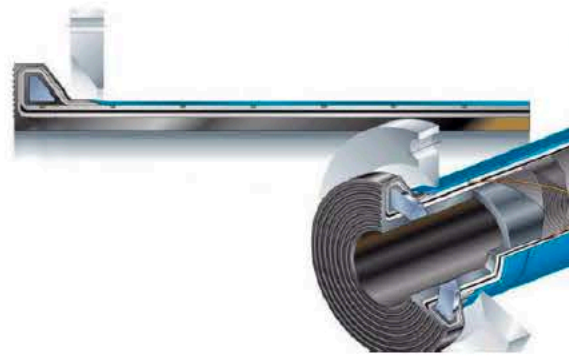
### 2) Built-in and coated

Applications:  
suction and delivery food, dry  
sandblasting, aggressive che-  
micals and dredging



### 3) Beaded ends

Applications:  
suction and delivery dry san-  
dblastering, strong aggressive  
chemicals and dredging for  
low pressure applications



### 4) Integral rubber flange

Applications:  
suction and delivery dry san-  
dblastering, strong aggressive  
chemicals where any contact  
with medium is to be avoided  
with rings particularly  
suitable for dredging at full  
vacuum and for maximum fle-  
xibility



## EXAMPLES OF THE EXTENSIVE PRODUCT RANGE

### Dredging. There are three type of hoses for this use:

- Delivery hose with no spiral and abrasion resistance (from ship to land).
- Suction (full vacuum, -1.0 Bar) and delivery hose spiraled and coated flanges (under the water surface).
- Junction hose normally made in short lengths and big sizes, with rings (for a maximum flexibility) and rubber flanges.

### This kind of hoses are used for:

- Dredging (suction and delivery) of lakes, in the sea and for mining.
- In alternative for DELTA hose system in case of heavy duty (high pull resistance and therefore chemical connection).
- Compounds like DELTA hose system.



## FIRE RESISTANT HOSES

The hoses are made with a liner and cover compound in CR, a steel cord reinforcement plus spiral  $\geq 6''$  and three layers of glass fibre under cover; the compound is flame resistant and the hoses have a working pressure of 21 Bar and are available in a range from 2'' up to 24''.

The products have been successfully tested at 700°C for 30 minutes still withstanding the working pressure. These suction and delivery hoses are used for water in fire safety systems on oil platform

## ROAD SWEEPER

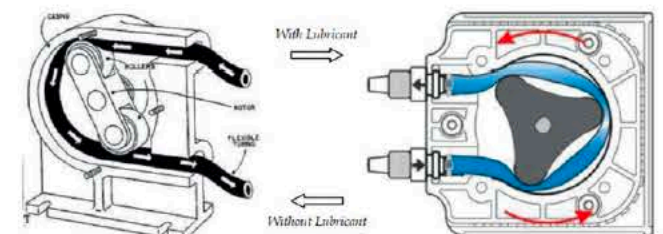
In this case, the hoses are used for:

- Cleaning of roads or other surfaces as fields by suction of leaves, dirt, etc. with cleaning vehicle.
- Connection between brush and vacuum pump.
- Corrugated liner and cover often produced with soft ends.



## PERISTALTIC HOSES

These hoses are installed in peristaltic pumps for dosing applications (in which there is no contact with medium and defined flow rate) or in order to discharge water in mining: four versions of these hoses are used for abrasive materials, chemicals and in the food industry.



## HEAVY DUTY ASPIRATION HOSES

The hoses are full vacuum and semi-corrugated in order to have short bending radius. The dimension of these products normally range from 8'' up to 12'' and the runner is 10''; in tailor made solutions, lengths normally go from 5.3 m up to 11 m, both with and without soft ends. The heavy duty aspiration hoses are with smooth lining and stronger service and are used or cleaning streets, construction sites, rail-tracks, in situations of earthquakes and flooding.





## FOOD HOSES

Hoses for the foodstuffs industry, subject to stringent hygiene regulations and specifications.

Special production process, premium raw materials, and continuous controls ensures the consistently high quality of our Food grade hoses.

We have specific hoses for Wine, Beer, strong alcoholic beverages as well as fruit juices and specific hoses for dairy industry. Perfectly smooth, free from plasticizers, FDA approved and Phtalate free, our hoses does not leave any odor or taste.



## CONCRETE PUMPING HOSES

There are hoses for concrete placement in a range from 2" to 6", for concrete placing in a range of 4" and 5" and with a length of 10-30 m and for tunnelling (for spraying walls mainly 2"). Available in 4 different W.P. range: 75 bar, 85 bar, 100 bar, 150 bar.



## OFF-SHORE HOSES

Oil resistant NBR tube, antistatic, reinforced with steel wires and multiple plies of fabrics and high tenacity synthetic cord, with CR abrasion, weather and sea water resistant antistatic cover. Delivered with "Built in" flanges, these hoses fully meet the requirement of EN 1764:2004 Type S (10 & 15).



A member of



## ROITER srl

Via Grandi, 5 - 45100 - Rovigo (RO) - ITALY

Tel. +39.0425/377611 (2 linee r.a.) - Fax. +39.0425/410911

E-mail: [info@roiter.com](mailto:info@roiter.com) - website: [www.roiter.com](http://www.roiter.com)

P.IVA: 01012670293 / Cod. Fisc. 02364820247